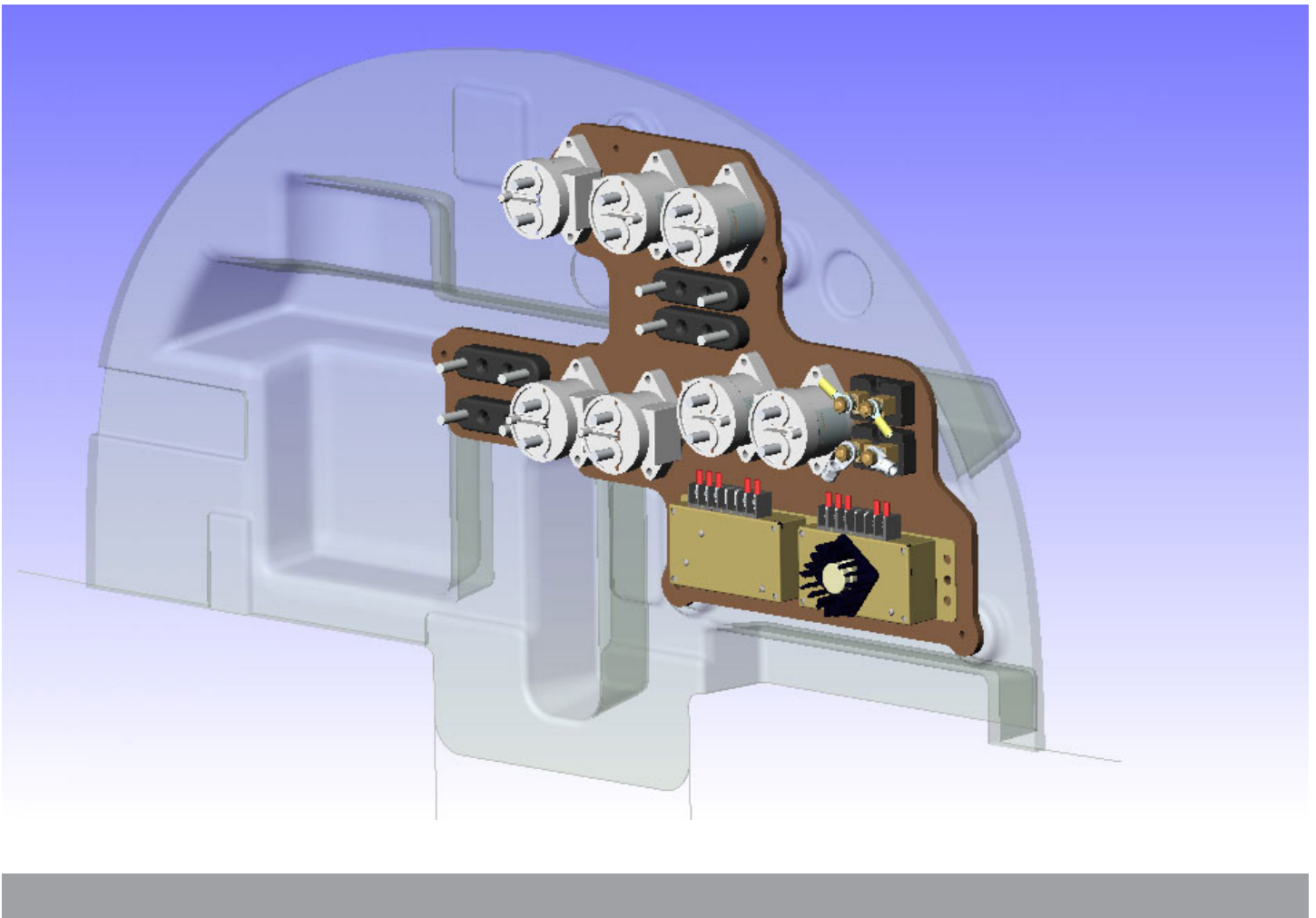


Kit # 115
Dual Bus
8/30/2014



Kit # 115 Components

Fig. A

Fig.B

Fig. C

Fig. D

Fig. E

Fig. F

Fig.G

Kit # 115 Installation

Fig. H

Fig. I

Fig. J

