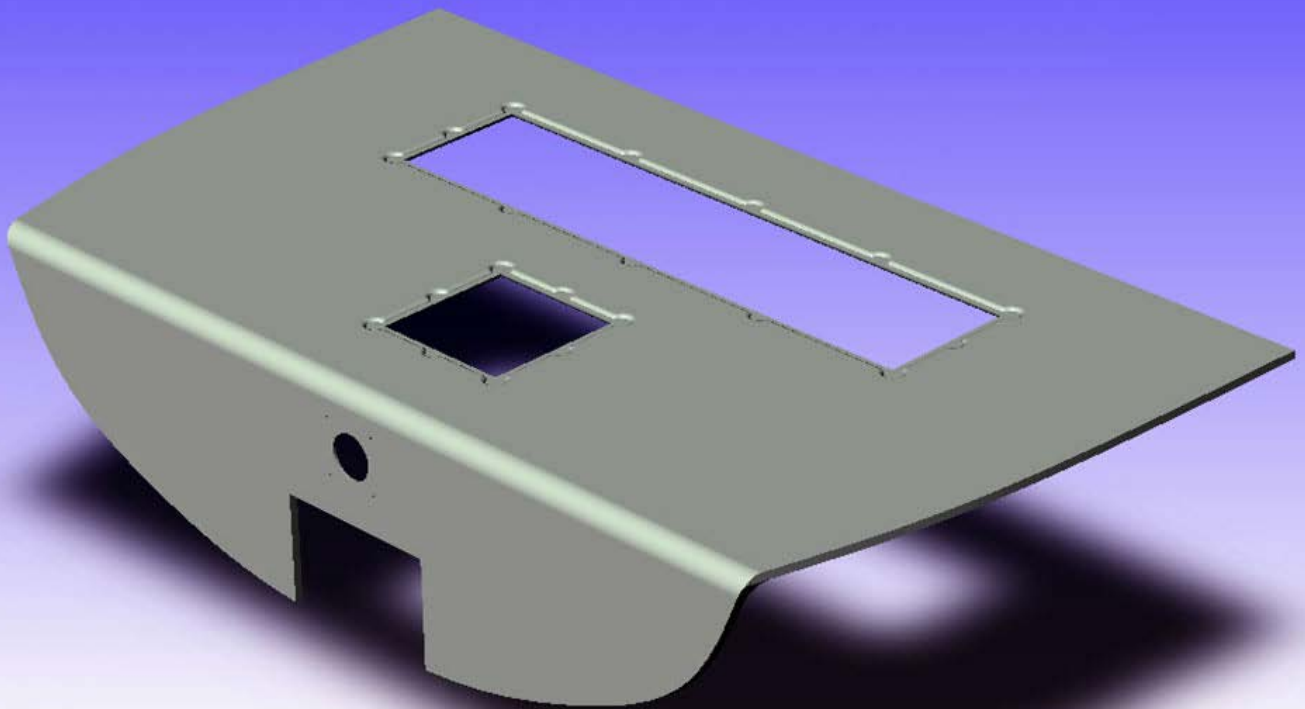


Kit # 301
Engine Floor

10/1/2014



Kit #301 Components

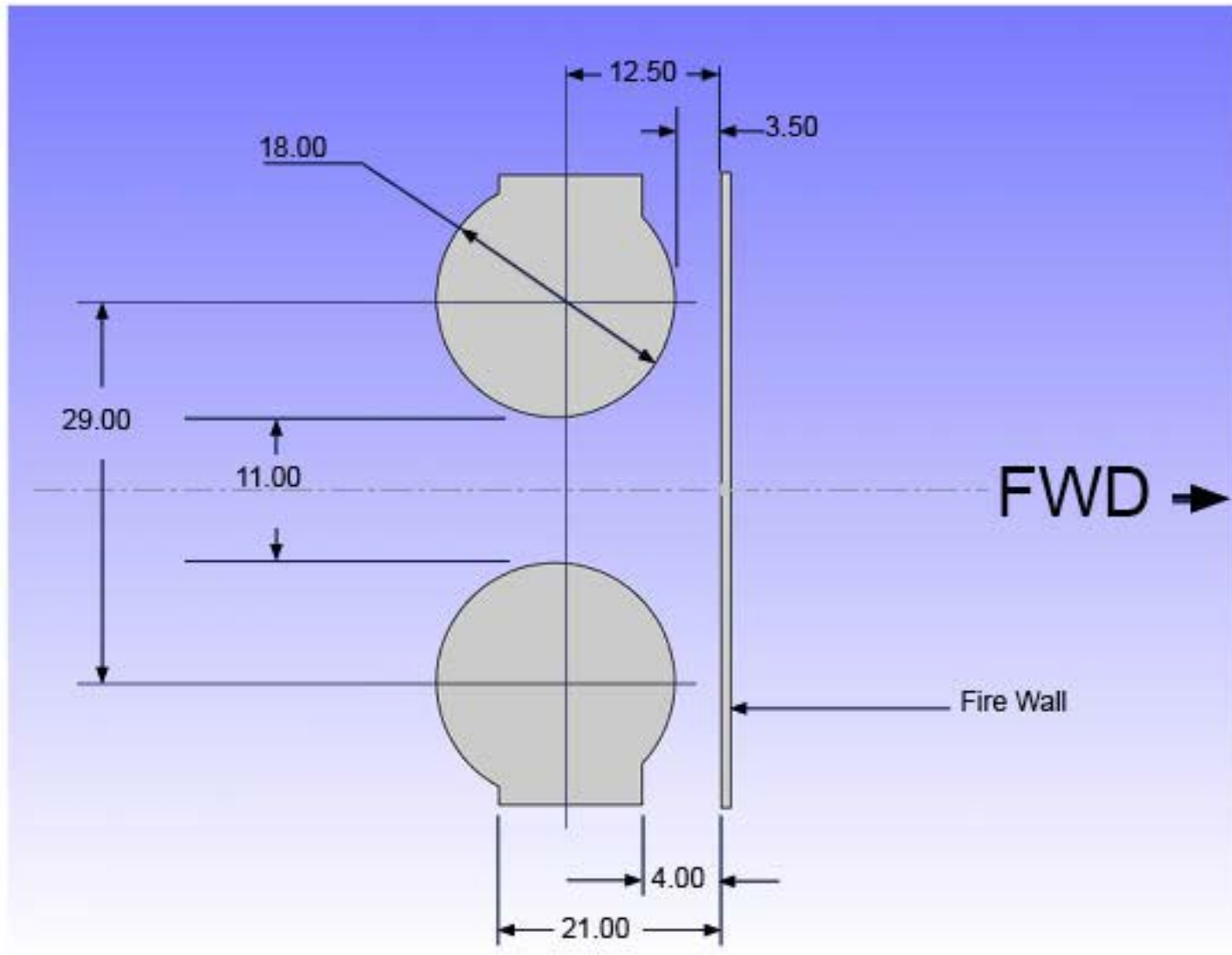


Fig. A

Fig.B

Fig. C

Fig. D

Fig. E

Fig. F

Fig.G

Kit # 230 Installation

Fig. H

Fig. I

Fig. J

