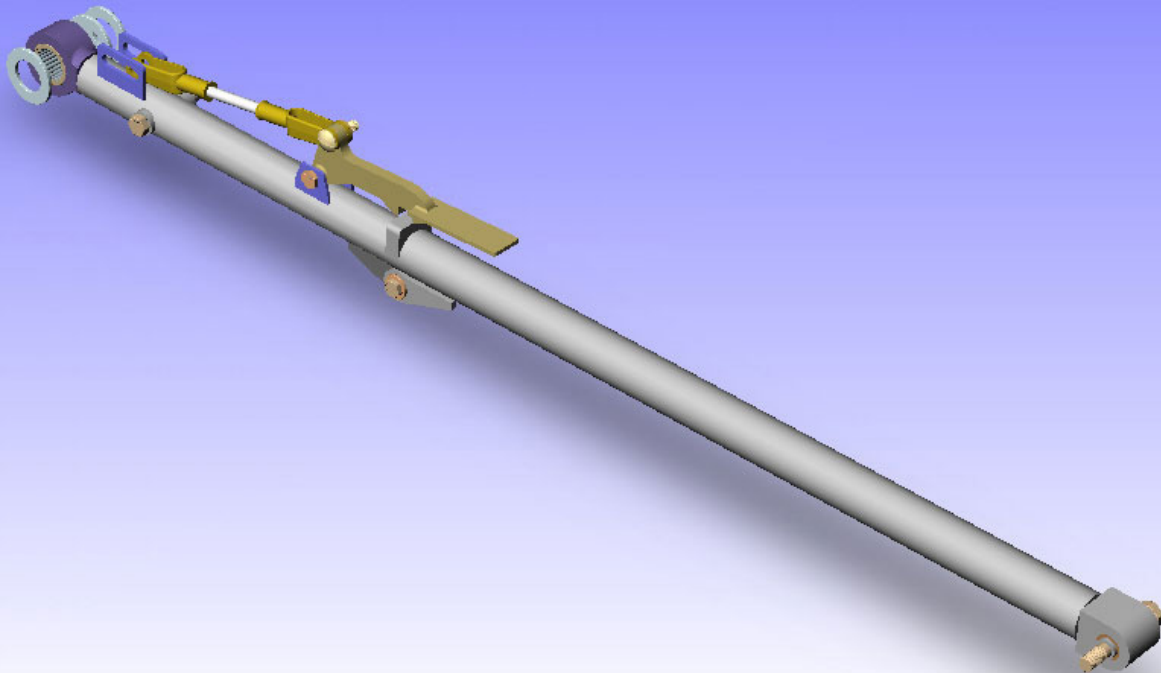


Kit # 501
Main Gear Drag Brace (G2)
9/12/2014



Kit # 501 Components

Fig. A

Fig.B

Fig. C

Fig. D

Fig. E

Fig. F

Fig.G

Kit # 501 Installation

Fig. H

Fig. I

Fig. J

