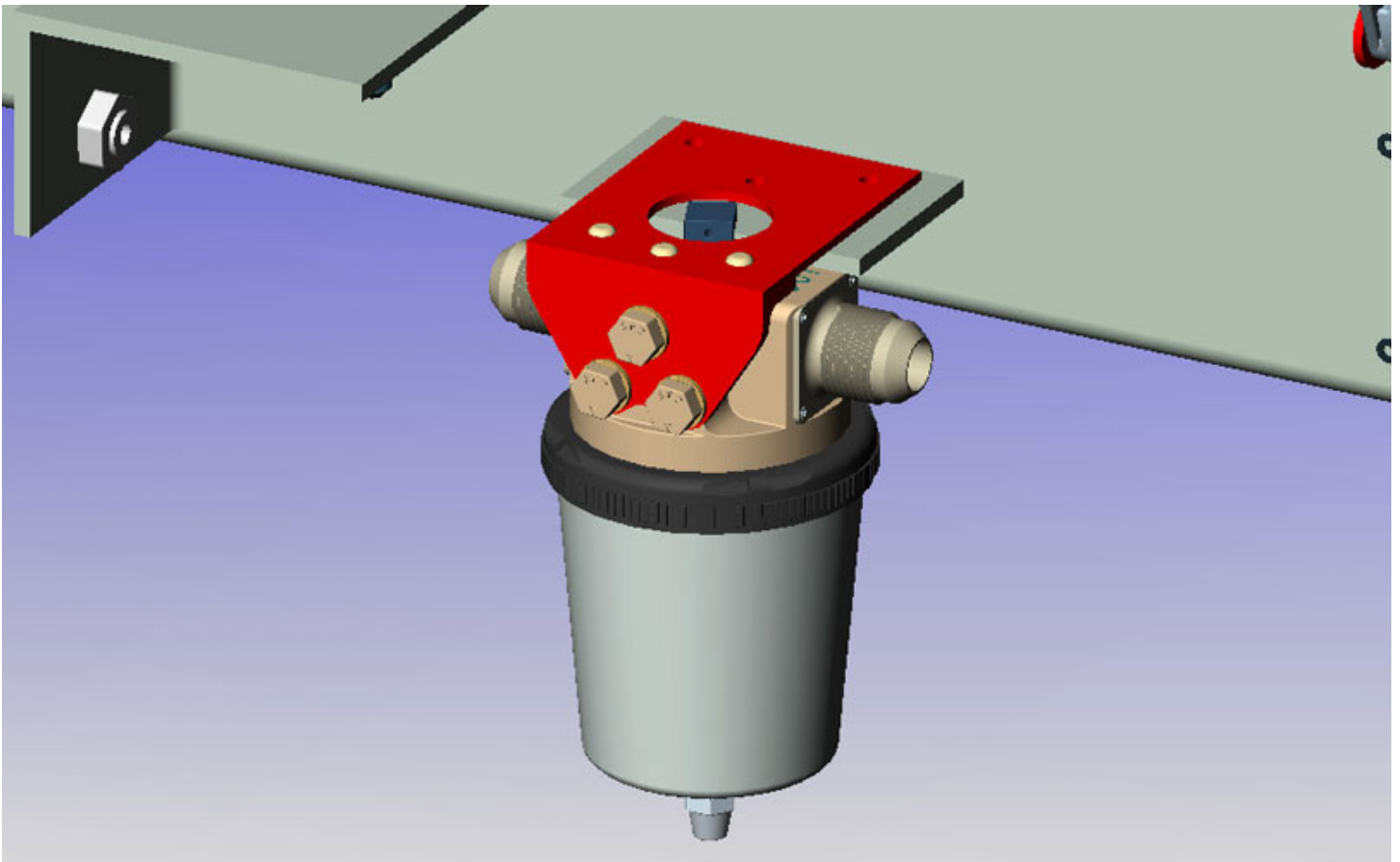


Kit # 515
Gascolator Mount Bracket
9/12/2014



Kit # 515 Components

Fig. A

Fig.B

Fig. C

Fig. D

Fig. E

Fig. F

Fig.G

Kit # 515 Installation

Fig. H

Fig. I

Fig. J

